



**SIZE :**

120x120x38mm (4.72"x4.72"x1.50")

**CONSTRUCTION :**

- Die-cast aluminum housing
- Glass fiber reinforced plastic:  
Impeller are UL 94V-0 rating
- Impedance protected
- Leader wire or terminal is available

**OPERATING TEMPERATURE :**

Ball bearing - 30°C to +75°C  
Sleeve bearing - 10°C to +70°C

**WEIGHT :**

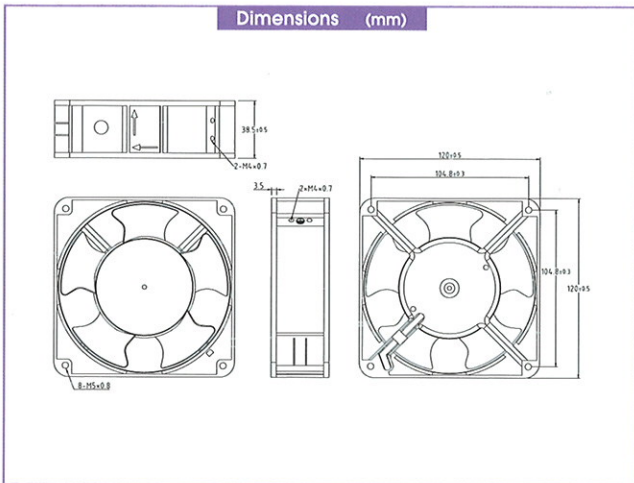
500 grams

**Specifications**

Specifications are subject to change without notice

MODEL NO.	BEARING	RATED VOLTAGE	FREQUENCY	RATED CURRENT	INPUT POWER	SPEED	MAX. AIR FLOW		MAX. AIR PRESSURE		NOISE
		VAC	Hz	mA	W	R.P.M.	m <sup>3</sup> /min	CFM	mmH <sub>2</sub> O	IN H <sub>2</sub> O	dB-A
4C-115HB VA	Ball	115	50/60	270/230	22/19	2500/min	2.1/2.4	72.6/84.7	7.3/7.1	0.29/0.28	47.2/49.4
4C-115HS VA	Sleeve					2800/min					
4C-230HB VA	Ball	230	50/60	135/110	22/19	2500/min	2.1/2.4	72.6/84.7	7.3/7.1	0.29/0.28	47.2/49.2
4C-230HS VA	Sleeve					2800/min					

Dimensions (mm)



Performance Curve

