



SIZE :

120x120x38mm (4.72"x4.72"x1.50")

CONSTRUCTION :

- Die-cast aluminum housing
- Glass fiber reinforced plastic:
Impeller are UL 94V-0 rating
- Impedance protected
- Leader wire or terminal is available

OPERATING TEMPERATURE :

Ball bearing - 30°C to +75°C
Sleeve bearing - 10°C to +70°C

WEIGHT :

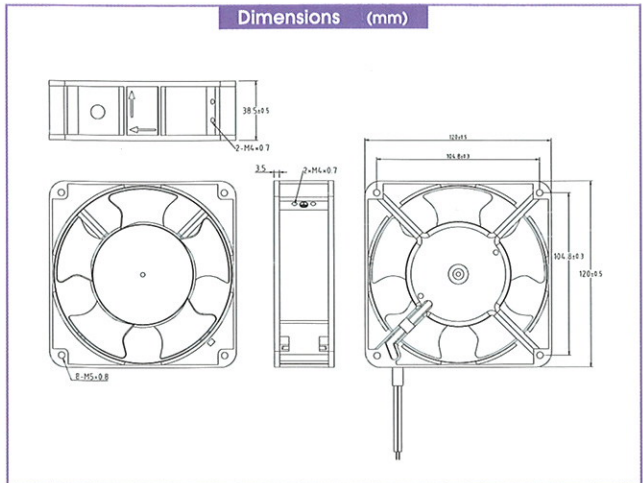
500 grams

Specifications

Specifications are subject to change without notice

MODEL NO.	BEARING	RATED VOLTAGE	FREQUENCY	MAX. RATED CURRENT	MAX. INPUT POWER	SPEED	MAX. AIR FLOW		MAX. AIR PRESSURE		NOISE
		VAC	Hz	mA	W	R.P.M.	m ³ /min	CFM	mmH ₂ O	IN H ₂ O	
4C-115LB	Ball	115	50/60	120/110	10/9	1800/1900	1.6/1.8	57/63	3.2/4.2	0.1/0.2	30/34
4C-115LS	Sleeve										
4C-115MB	Ball	115	50/60	130/120	11/10	2350/2400	2.0/2.0	71/72	4.7/4.8	0.2/0.2	35/39
4C-115MS	Sleeve										
4C-115HB	Ball	115	50/60	220/200	18/16	2650/3000	2.4/2.8	85/98	7.0/7.4	0.3/0.3	46/50
4C-115HS	Sleeve										
4C-200HS	Ball	200	50/60	150/140	20/19	2500/2800	2.1/2.4	76/84	5.0/5.6	0.2/0.2	37/46
4C-230LB	Ball										
4C-230LS	Sleeve	230	50/60	65/60	10/9	1800/1900	1.6/1.8	57/63	3.2/4.2	0.1/0.2	30/34
4C-230MB	Ball										
4C-230MS	Sleeve	230	50/60	108/107	11/10	2350/2400	2.0/2.0	71/72	4.7/4.8	0.2/0.2	35/39
4C-230HB	Ball										
4C-230HS	Sleeve	230	50/60	135/110	22/19	2650/3000	2.4/2.8	85/98	7.0/7.4	0.3/0.3	46/50
4C-380HB	Ball										
4C-DVB	Ball	115/230	50/60	220/200	18/22	2650/3000	2.4/2.8	85/98	7.0/7.4	0.3/0.3	46/50
4C-DVS	Sleeve										

Dimensions (mm)



Performance Curve

