



SIZE :

120x120x25mm (4.72"x4.72"x0.98")

CONSTRUCTION :

Glass fiber reinforced plastic:
Impeller and housing PBT are UL 94V-0 rating

OPERATING TEMPERATURE :

Ball bearing - 30°C to +75°C
Sleeve bearing - 10°C to +70°C

INSULATION RESISTANCE :

10meg Ohm min. at 500 VDC
(between frame and terminal)

DIELECTRIC STRENGTH :

5mA max. at 500 VAC 60Hz one minute
(between frame and terminal)

FUNCTION :

auto-restart option
frequency generator or rotation detection signal option

WEIGHT :

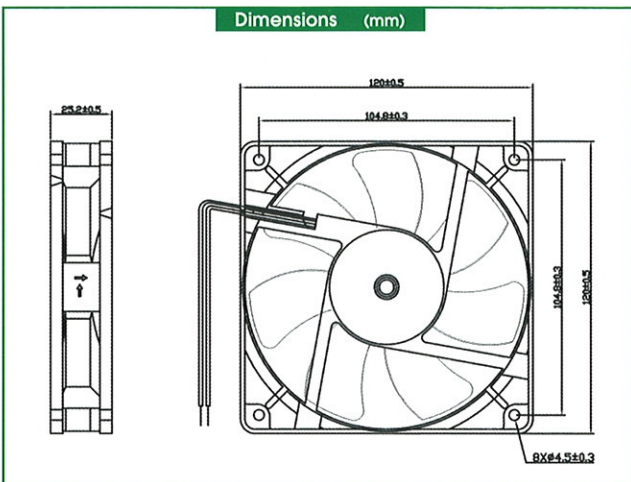
150 grams

Specifications are subject to change without notice

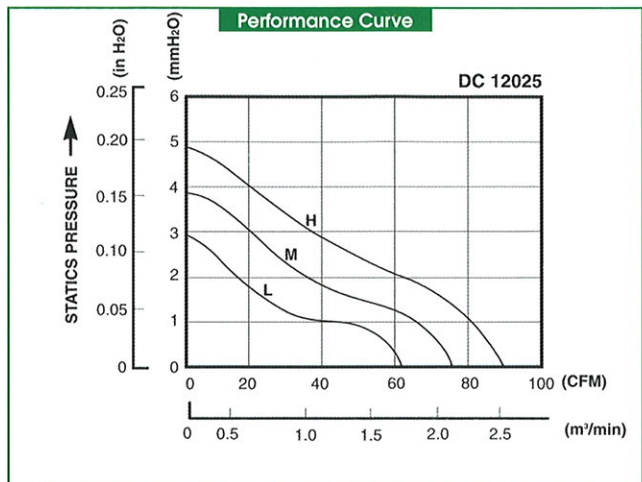
Specifications

MODEL NO.	BEARING	RATED VOLTAGE	OPERATING VOLTAGE RANGE	RATED CURRENT	RATED INPUT POWER	SPEED R.P.M.	MAX. AIR FLOW		MAX. AIR PRESSURE		NOISE dB-A
		VDC	V	A	W		m³/min	CFM	mmH ₂ O	IN H ₂ O	
BP1202512L-02	Ball	12	7-13.8	0.25	3.00	1800	1.9	67.2	2.9	0.1	33.5
SP1202512L-02	Sleeve										
BP1202512M-02	Ball	12	7-13.8	0.38	4.56	2100	2.28	80.7	3.9	0.15	39.2
SP1202512M-02	Sleeve										
BP1202512H-02	Ball	12	7-13.8	0.50	6.00	2400	2.6	92.6	5.2	0.2	42.6
SP1202512H-02	Sleeve										
BP1202512HL-02	Ball	12	7-13.8	0.53	6.36	2700	2.9	103.7	6.3	0.3	47.1
SP1202512HL-02	Sleeve										
BP1202512HH-02	Ball	12	7-13.8	0.60	7.20	3000	3.4	119.1	7.6	0.3	48.3
SP1202512HH-02	Sleeve										

Dimensions (mm)



Performance Curve





DC 12025-02



SIZE :
120x120x25mm (4.72"x4.72"x0.98")

CONSTRUCTION :
Glass fiber reinforced plastic:
Impeller and housing PBT are UL 94V-0 rating

OPERATING TEMPERATURE :
Ball bearing - 30°C to +75°C
Sleeve bearing - 10°C to +70°C

INSULATION RESISTANCE :
10meg Ohm min. at 500 VDC
(between frame and terminal)

DIELECTRIC STRENGTH :
5mA max. at 500 VAC 60Hz one minute
(between frame and terminal)

FUNCTION :
auto-restart option
frequency generator or rotation detection signal option

WEIGHT :
150 grams *Specifications are subject to change without notice*

Specifications

MODEL NO.	BEARING	RATED VOLTAGE	OPERATING VOLTAGE RANGE	RATED CURRENT	RATED INPUT POWER	SPEED R.P.M.	MAX. AIR FLOW		MAX. AIR PRESSURE		NOISE dB-A
		VDC	V	A	W		m ³ min	CFM	mmH ₂ O	IN H ₂ O	
BP1202524L-02	Ball	24	12-27.6	0.17	4.08	1800	1.9	67.2	2.9	0.1	33.5
SP1202524L-02	Sleeve										
BP1202524M-02	Ball	24	12-27.6	0.23	5.52	2100	2.28	80.7	3.9	0.2	39.2
SP1202524M-02	Sleeve										
BP1202524H-02	Ball	24	12-27.6	0.27	6.48	2400	2.6	92.6	5.2	0.2	42.6
SP1202524H-02	Sleeve										
BP1202524HL-02	Ball	24	12-27.6	0.30	7.20	2700	2.9	103.7	6.3	0.3	47.1
SP1202524HL-02	Sleeve										
BP1202524HH-02	Ball	24	12-27.6	0.35	8.40	3000	3.4	119.1	7.6	0.3	48.3
SP1202524HH-02	Sleeve										
BP1202548L-02	Ball	48	24-55.2	0.15	7.20	1800	1.9	67.2	2.9	0.1	33.5
SP1202548L-02	Sleeve										
BP1202548M-02	Ball	48	24-55.2	0.17	8.16	2100	2.28	80.7	3.9	0.2	39.2
SP1202548M-02	Sleeve										
BP1202548H-02	Ball	48	24-55.2	0.20	9.60	2400	2.6	92.6	5.2	0.2	42.6
SP1202548H-02	Sleeve										
BP1202548HL-02	Ball	48	24-55.2	0.23	11.04	2700	2.9	103.7	6.3	0.3	47.1
SP1202548HL-02	Sleeve										
BP1202548HH-02	Ball	48	24-55.2	0.25	12.00	3000	3.4	119.1	7.6	0.3	48.3
SP1202548HH-02	Sleeve										

