

DC 17251 Ellipse Frame



SIZE :

172x150x51mm (6.77"x5.91"x2")

CONSTRUCTION :

Glass fiber reinforced plastic:
Impeller and housing PBT are UL 94V-0 rating

OPERATING TEMPERATURE :

Ball bearing - 30°C to +75°C
Sleeve bearing - 10°C to +70°C

INSULATION RESISTANCE :

10meg Ohm min. at 500 VDC
(between frame and terminal)

DIELECTRIC STRENGTH :

5mA max. at 500 VAC 60Hz one minute
(between frame and terminal)

FUNCTION :

auto-restart option
frequency generator or rotation detection signal option

WEIGHT :

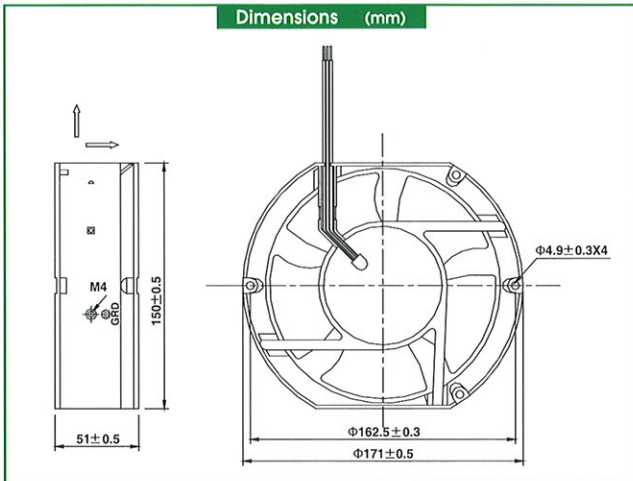
730 grams

Specifications

Specifications are subject to change without notice

MODEL NO.	BEARING	RATED VOLTAGE	OPERATING VOLTAGE RANGE	RATED CURRENT	RATED INPUT POWER	SPEED R.P.M.	MAX. AIR FLOW		MAX. AIR PRESSURE		NOISE dB-A
		VDC	V	A	W		m ³ /min	CFM	mmH ₂ O	IN H ₂ O	
BP1725124L	Ball	24	12-30	0.45	10.8	2400	5.0	178.0	11.3	0.4	51.0
BP1725124M	Ball	24	12-30	0.70	16.8	2900	5.2	184.9	11.7	0.5	55.6
BP1725124H	Ball	24	12-30	0.80	19.2	3400	6.1	235.1	16.9	0.7	58.2
BP1725148L	Ball	48	25-60	0.25	12.0	2400	5.0	178.0	11.3	0.4	51.0
BP1725148M	Ball	48	25-60	0.35	16.8	2900	5.2	184.9	11.7	0.5	55.6
BP1725148H	Ball	48	25-60	0.40	19.2	3400	6.1	215.9	15.7	0.6	59.1
BP17251 110H	Ball	110	75-135	0.133	14.6	3050	5.7	200	14.0	0.55	56.7

Dimensions (mm)



Performance Curve

