



SIZE :

50x50x15mm (1.97"x1.97"x0.59")

CONSTRUCTION :

Glass fiber reinforced plastic:
Impeller and housing PBT are UL 94V-0 rating

OPERATING TEMPERATURE :

Ball bearing - 30°C to +75°C
Sleeve bearing - 10°C to +70°C

INSULATION RESISTANCE :

10meg Ohm min. at 500 VDC
(between frame and terminal)

DIELECTRIC STRENGTH :

5mA max. at 500 VAC 60Hz one minute
(between frame and terminal)

FUNCTION :

frequency generator signal option

WEIGHT :

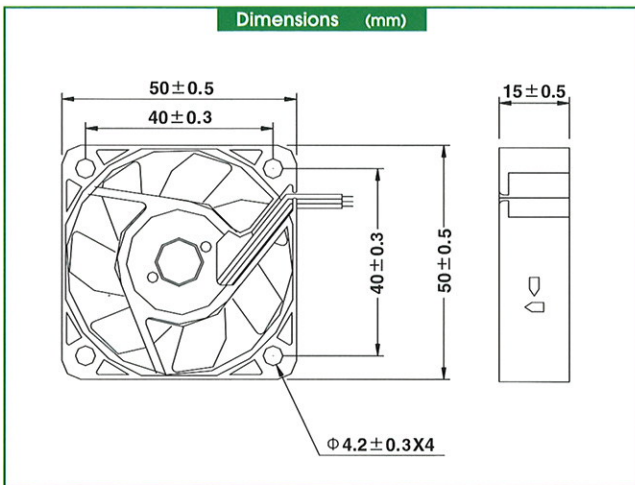
30 grams

Specifications

Specifications are subject to change without notice

| MODEL NO. | BEARING | RATED VOLTAGE | OPERATING VOLTAGE RANGE | RATED CURRENT | RATED INPUT POWER | SPEED R.P.M. | MAX. AIR FLOW | | MAX. AIR PRESSURE | | NOISE dB-A |
|-----------|---------|---------------|-------------------------|---------------|-------------------|-----------------|--------------------|------|--------------------|---------------------|---------------|
| | | VDC | V | A | W | | m ³ min | CFM | mmH ₂ O | IN H ₂ O | |
| BP501512M | Ball | 12 | 10.2-13.8 | 0.15 | 1.80 | 5600 | 0.4 | 15.8 | 5.16 | 0.2 | 35.3 |
| SP501512M | Sleeve | | | | | | | | | | |
| BP501512H | Ball | 12 | 10.2-13.8 | 0.19 | 2.28 | 6300 | 0.5 | 17.2 | 5.9 | 0.2 | 37.9 |
| SP501512H | Sleeve | | | | | | | | | | |
| BP501524M | Ball | 24 | 12-27.6 | 0.15 | 3.60 | 5600 | 0.4 | 15.8 | 5.16 | 0.2 | 35.3 |
| SP501524M | Sleeve | | | | | | | | | | |
| BP501524H | Ball | 24 | 12-27.6 | 0.17 | 4.08 | 6300 | 0.5 | 17.2 | 5.9 | 0.2 | 37.9 |
| SP501524H | Sleeve | | | | | | | | | | |

Dimensions (mm)



Performance Curve

