



Bi-Sonic

DC 5020



SIZE:

50mm×50mm×20mm(1.97"×1.97"×0.78")

CONSTRUCTION:

Glass fiber reinforced plastic: Impeller and housing PBT are UL 94V-0 rating

DIELECTRIC STRENGTH:

5mA max. at 500VAC 60Hz one minute (between frame and terminal)

INSULATION RESISTANCE

10mega Ohm min.at 500 VDC (between frame and terminal)

OPERATING TEMPERATURE:

Ball bearing: -10°C to +75°C

FUNCTION(Optional):

Polarity Protection/Auto Restart/ FG or RD/PWM/IP68

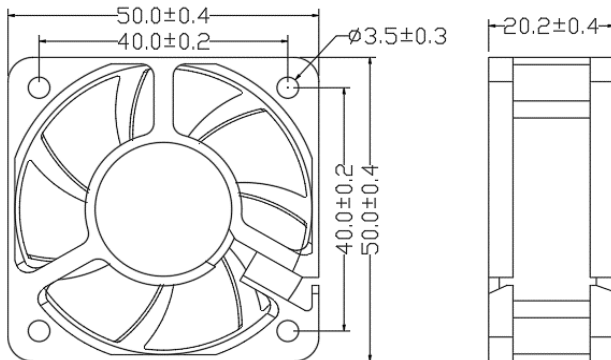
WEIGHT:

30 grams

Specifications:

MODEL NO.	BEARING	RATED	OPERATING	MAX.	MAX.	SPEED	MAX. AIR FLOW		MAX. AIR		NOISE
		VOLTAGE	VOLTAGE	CURRENT	INPUT		CFM	mmH2O	inH2O	dB-A	
		VDC	V	A	POWER						
BP502024L	Ball	24	12~27.6	0.07	1.68	5200	0.4	13.6	3.9	0.2	31.9
SP502024L	Sleeve										

Dimensions (mm)



Performance Curve

