



Bi-Sonic

EC 9225-03

SIZE:

92mm×92mm×25mm(3.62"×3.62"×0.98")

CONSTRUCTION:

Glass fiber reinforced plastic: Impeller and housing PBT are UL 94V-0 rating□

EC(AC to DC) brushless motor

Lead wire available

With rotor lock protection(auto restart)

DIELECTRIC STRENGTH:

5mA max. at 500VAC 60Hz one minute (between frame and terminal)

INSULATION RESISTANCE

10mega Ohm min.at 500 VDC (between frame and terminal)

OPERATING TEMPERATURE:

Ball/Sleeve bearing: -10°C to +75°C

WEIGHT:

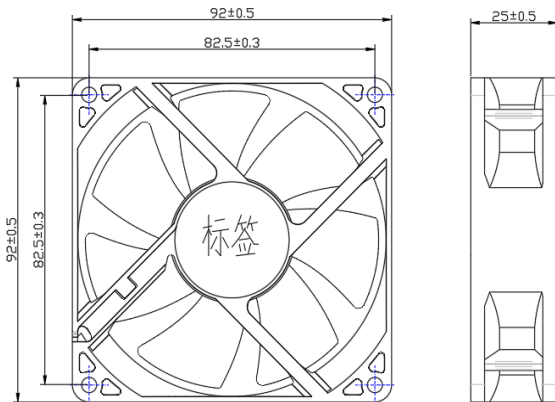
85 grams



Specifications:

MODEL NO.	BEARING	RATED	FREQUENCY	OPERATING	MAX.	SPEED	MAX. AIR FLOW		MAX. AIR		NOISE
		VOLTAGE	HZ	VOLTAGE	INPUT		m3/min	CFM	mmH2O	inH2O	
		VDC	HZ	RANGE	POWER	R.P.M.					dB-A
EC9225LB-03	Ball	115	60	90~250	2	2200	1.0	34.9	2.0	0.1	25.2
	Sleeve	230	50								
EC9225HB-03	Ball	115	60	90~250	3	3300	1.5	53.1	4.6	0.2	34
	Sleeve	230	50								

Dimensions (mm)



Performance Curve

