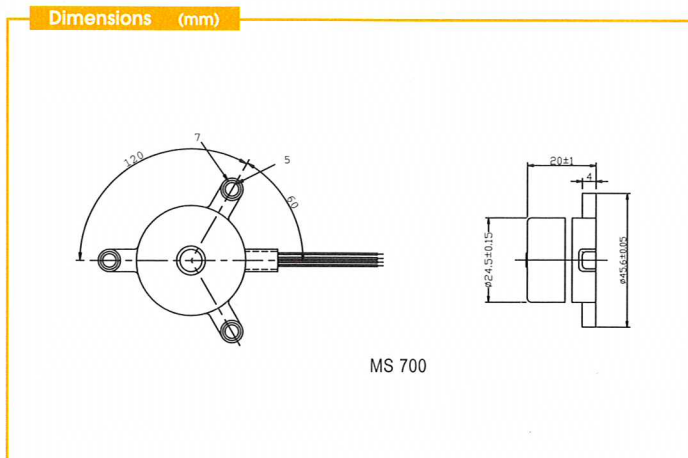


# DC BRUSHLESS MOTOR

## MS SERIES

WELCOME FOR OEMs ORDER



### CONSTRUCTION :

- Plastic base
- Metal rotor

### OPERATING TEMPERATURE :

Ball bearing - 30°C to + 75°C

### INSULATION RESISTANCE :

10 meg Ohm min. at 500 VDC  
(between frame and terminal)

### DIELECTRIC STRENGTH :

5 mA max. at 500 VAC 60Hz one minute  
(between frame and terminal)

## Specifications

Specifications are subject to change without notice

| MODEL NO. | BEARING | RATED          | OPERATING             | RATED        | RATED INPUT | SPEED<br>R.P.M. | Weight<br>gram | Size                      |
|-----------|---------|----------------|-----------------------|--------------|-------------|-----------------|----------------|---------------------------|
|           |         | VOLTAGE<br>VDC | VOLTAGE<br>RANGE<br>V | CURRENT<br>A | POWER<br>W  |                 |                |                           |
| MS-700    | Ball    | 12             | 10.2~13.8             | 0.16         | 1.92        | 10500           | 25             | ø24.5×20mm (ø0.96"×0.79") |
| MS-800    | Ball    | 12             | 10.2~13.8             | 0.11         | 1.32        | 5000            | 60             | ø38.0×23mm (ø1.49"×0.90") |
| MS-6700   | Ball    | 5              | 4.25~5.70             | 0.05         | 0.25        | 5000            | 25             | ø24.5×20mm (ø0.96"×0.79") |
| MS-7200   | Ball    | 5              | 4.25~5.70             | 0.16         | 0.55        | 10500           | 25             | ø24.5×25mm (ø0.96"×0.98") |